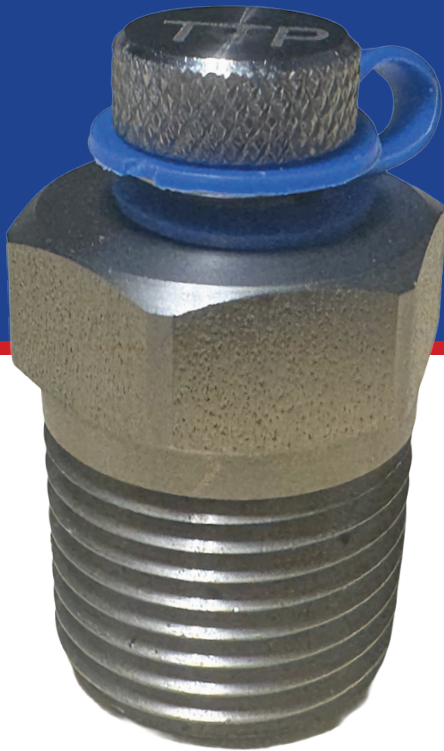




STAINLESS STEEL P/T PLUGS DESIGNED FOR THE DATA CENTER COOLING SYSTEMS



Stainless Steel plugs are idea for mission-critical data centers.

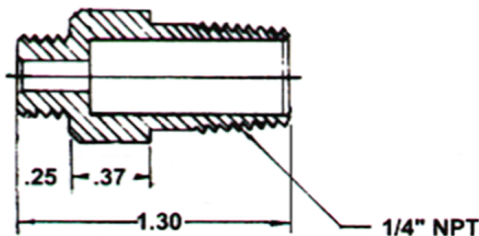
Typically available from stock - No project delays.

DESIGNED FOR LONG SERVICE LIFE

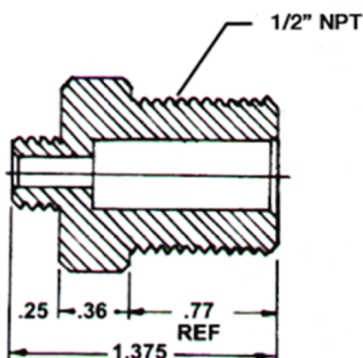
Texas Test Plugs stainless P/T plugs are designed for chilled water and glycol cooling systems used in modern data centers. Corrosion-resistant construction provides long-term reliability.

TYPICAL APPLICATIONS

- ✓ Chilled Water Systems
- ✓ Glycol Systems
- ✓ Pump headers
- ✓ CRAH Units
- ✓ Heat Exchangers
- ✓ Mechanical Rooms



N-76 SS 1/4" NPT P/T Plug



N-78 SS 1/2" NPT P/T Plug

Core Material: Nordel (EPDM) is the standard core, well known for its excellent chemical resistance to water, glycols, and many other system fluids. Neoprene is also available.

Functionality: The replaceable valve core uses a "pressure cup" design that ensures superior sealing. Capable of handling pressures up to 1000 PSI or temperatures up to 300°F. Special care should be taken when working with high pressures and temperatures.

Made in Texas.

Reliable inventory Fast Delivery Contractor Trusted Complies with the Buy America Act (BAA)